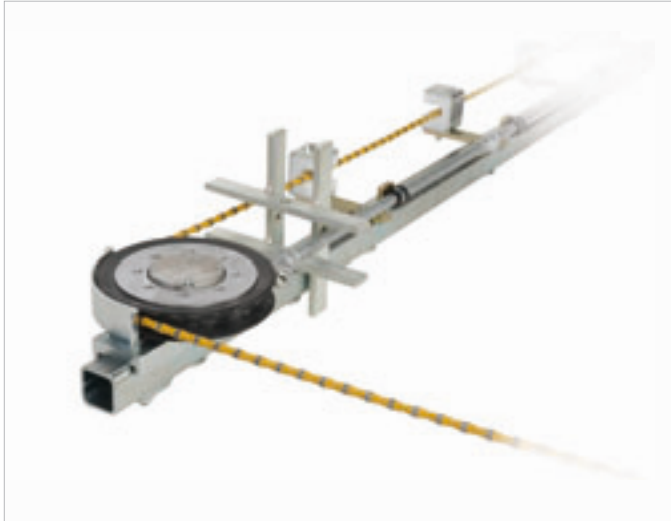
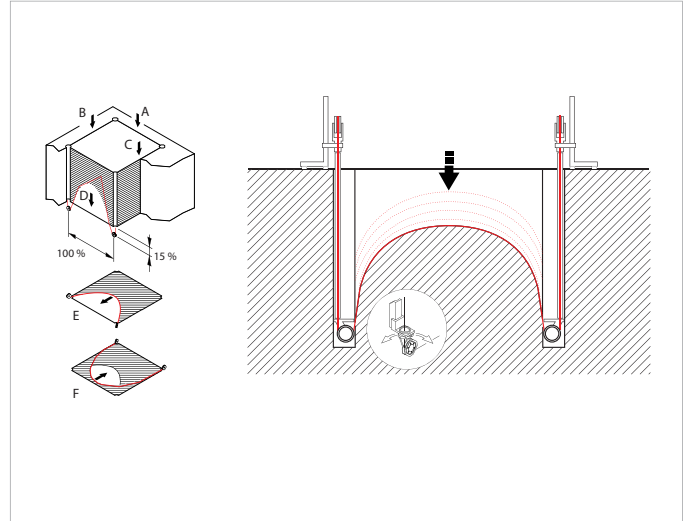


WIRE SAW ACCESSORIES

PLUNGE TUBE



Equipment for cutting a cube out of concrete foundations



Immersion wire saw procedure for horizontal and vertical cutting.
Cutting depths up to 2.5 m

DIVERTER ROLLS FOR WIRE GUIDANCE



Universal support: Wire can be diverted in any direction



Room diverter roll: Wire diversion with two adjustable axes



Diverter roll: Wire diversion with one adjustable axis



Support roll: Eliminates sagging wire and reduces vibration

Plunge tube

ACCESSORIES		
964256	Plunge wire sawing assembly right side	
964253	Plunge wire sawing assembly left side	
977099	Base swivel pulley for plunge tube	

Diverter rolls

ACCESSORIES		
980712	Frame short	
980723	Frame long	
977536	Universal pulley frame left	
977535	Universal pulley frame right	
980713	Swivel pulley for universal pulley frame	
969109	Template for wall mounting; of wire sawing frame	
980722	Multi-direction guide pulley; with support	
964254	Pulley Ø 200 mm	
964419	Pulley Ø 200 mm with hole Ø 13 mm	
961902	Pulley Ø 200 mm with hole Ø13mm (75 Shore)	
980714	Individual pulley Ø 200 mm with support	
980706	2 support pulleys with holder	